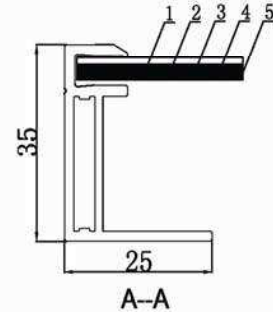
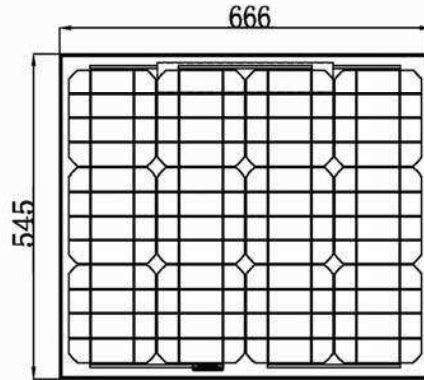


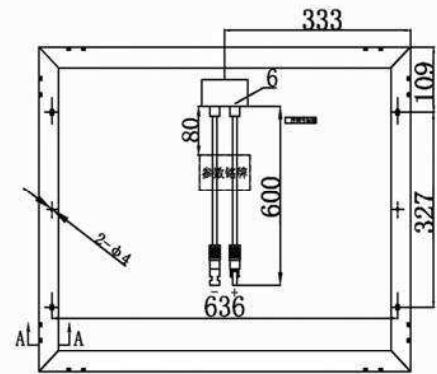
Mono SR-M6044850

Data Sheet

Pm: 50W
 Pcs: 48Pcs
 Isc: 2.27A
 Voc: 29.40V
 Im: 2.09A
 Vm: 23.90V
 WT: 4.6Kg



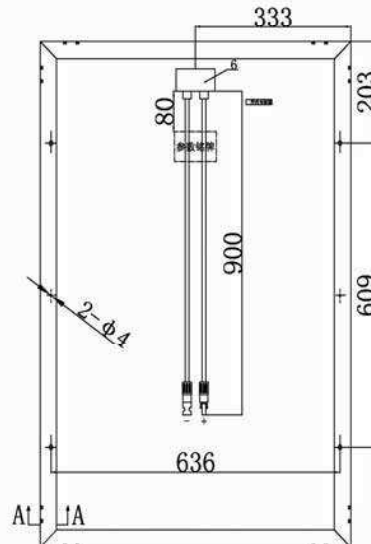
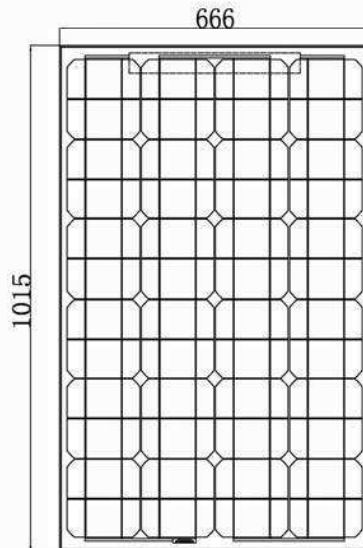
Size:	666x545x35mm
Qty./Carton:	20pcs/carton
Carton Size:	760x696x575mm



Mono SR-M60248100

Data Sheet

Pm: 100W
 Pcs: 48Pcs
 Isc: 4.52A
 Voc: 29.50V
 Im: 4.18A
 Vm: 23.92V
 WT: 7.9Kg



Size:	1015x666x35mm
Qty./Carton:	28pcs/carton
Carton Size:	1045x1040x696mm

