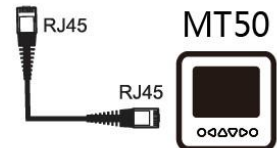


# Remote Meter MT50



The new generation remote meter MT50 is compatible with Epsolar's LSXXXXB, VSXXXXB, TracerXXXXB solar charge controller. It can monitor real-time data and status, remotely control load ON/OFF, browse and modify the control parameter, charge mode, load work mode, and inquiry failure information etc.



## Features:

- ◆ Automatic identify the controller, and display the type, model and relevant parameter data
- ◆ Large-screen multifunction LCD displays all the operational data and system working status in digital, graphic and textual forms
- ◆ With six navigation function keys, the operation is direct, convenient and rapid
- ◆ Real-time energy statistics recording
- ◆ Both data and data flowing on the same lead ,no need for external power
- ◆ Real-time monitoring and acoustic alarm of failure information of the controller
- ◆ Longer communication distance based on RS485



## More powerful function Via MT50

- ◆ Diversified load control modes : manual, light ON/OFF, Light ON+ Timer, Time Control
- ◆ Battery type selection: Gel, sealed, flooded and USER type
- ◆ Real-time monitor
- ◆ Programmable parameters
- ◆ Energy display function



Surfacing mounting



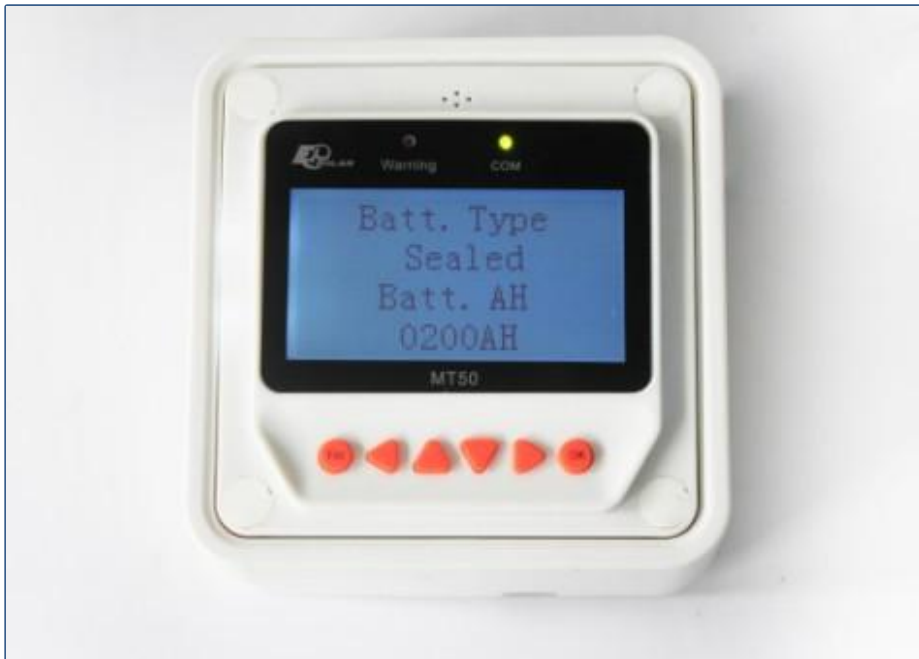
Embedded mounting

## Display interface:



Real time monitoring





Battery type setting



Load mode setting





Energy statistics



Parameter setting



### Electrical parameter

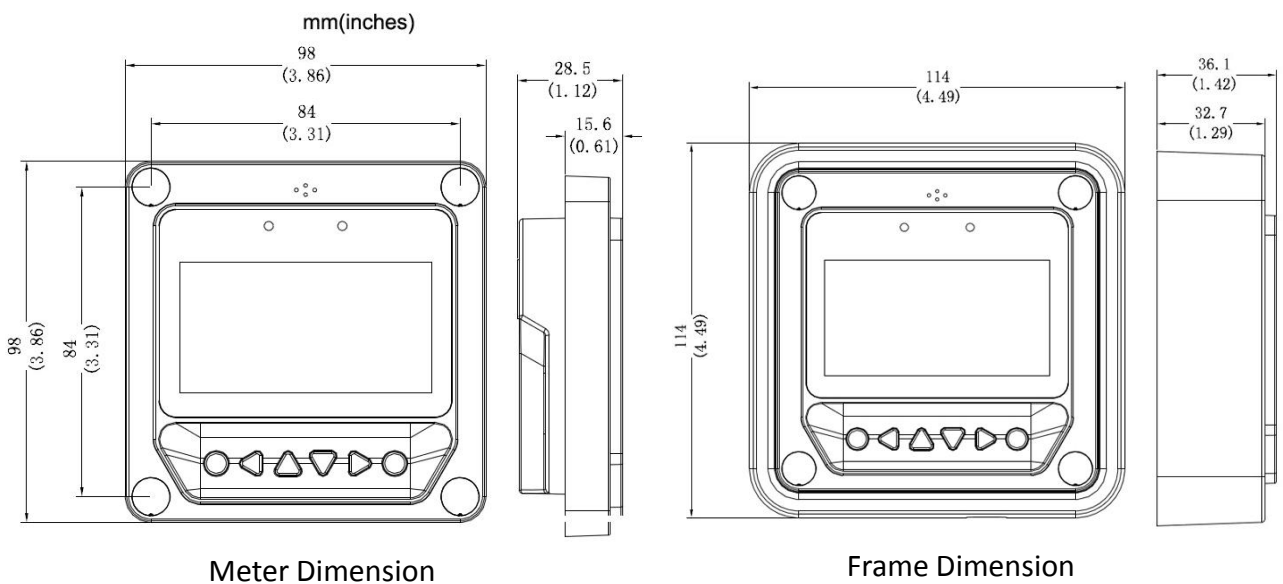
Self-consumption	Backlight and acoustic alarm on <math><65\text{mA}</math>
	Backlight on <math><23\text{mA}</math>
	Backlight off <math><15\text{mA}</math>

### Mechanical parameter

Faceplate dimensions	98×98 mm / 3.86×3.86 in
Frame dimensions	114×114 mm / 4.49×4.49 in
Connector type	RJ45
Meter cable	Standard 2m, max .50m
Meter weight	0.190 Kg

### Environmental parameter

Ambient Temperature	-20°C~+70°C / -4°F~158°F
---------------------	--------------------------



BEIJING EPSOLAR TECHNOLOGY CO.,LTD.  
 Add: BLDG #18, CO.PARK ,NO.8 HEYING ROAD ,  
 CHANGPING DISTRICT, BEIJING, CHINA  
 Tel: 010-82894962 / 82894112  
 Fax: 010-82894882  
[www.epsolarpv.com](http://www.epsolarpv.com)

